

TOUCAN® SERIES

MAST BOOM LIFTS



Performance

Platform Height		
20E	20 ft 3 in.	6.20 m
26E	26 ft 5 in.	8.05 m
32E	32 ft 3 in.	9.83 m
Horizontal Outreach		
20E	6 ft 5 in.	1.97 m
26E	8 ft 8 in.	2.64 m
32E	14 ft 11 in.	4.55 m
Up and Over Height		
20E	167 ft 7 in.	5.36 m
26E	21 ft 5 in.	6.51 m
32E	22 ft 9 in.	6.95 m
Swing	345 Degrees Non-continuous	
Platform Capacity	500 lb	227 kg
Platform Size		
20E	33 x 38 in.	85 x 92 cm
26E	29 x 36 in.	70 x 90 cm
32E	27.5 x 41.3 in.	70 x 105 cm
Weight		
20E	4,875 lb	2,210 kg
26E	6,900 lb	3,130 kg
32E	10,140 lb	4,600 kg
Ground Bearing Pressure		
20E	255 psi	17.9 kg/cm ²
26E	319 psi	22.4 kg/cm ²
32E	185 psi	13 kg/cm ²
Ground Clearance	3.9 in.	10 cm
Drive Speed Stowed	3.4 mph	5.5 km/hr
Drive Speed Elevated	0.43 mph	0.7 km/hr
Gradeability		
20E	25%	
26E	25%	
32E	25%	
Turning Radius (Inside)		
20E	1 ft 10 in.	0.55 m
26E	1 ft 10 in.	0.55 m
32E	2 ft 5 in.	0.74 m
Turning Radius (Outside)		
20E	6 ft 6 in.	1.99 m
26E	6 ft 6 in.	1.99 m
32E	8 ft 6 in.	2.60 m

Standard Specifications

Battery

20E	4 x 6V 213 ah amp-hr AGM
26E	24V, 260 amp-hr AGM
32E	48V, 260 amp-hr

Battery Charger – Output

20E	27 amps
26E	27 amps
32E	20 amps

Brakes

Spring Applied



Tires

20E	16 x 5 x 10.5 Non-marking
26E	125 x 406 Non-marking
32E	18 x 7 x 12.12 Non-marking

Standard Features

- 110V-AC Receptacle in the Platform
- Battery Condition Indicator
- 345 Degree Non-continuous Swing
- All Motion Alarm
- Emergency Lowering Pump
- Hourmeter
- Proportional Controls
- Lifting Eyes
- 5 Degree Tilt Alarm/Indicator Light
- Tie-down Lugs
- Dual Warning Beacons
- Horn
- Load Sensing System
- Saloon Gate
- SkyGuard SkyLine™
- Amber Beacon

Accessories & Options

- ½ in. Airline to Platform*
- Light Package¹

* Airline and Platform Work Lights are not available in combination.

¹ Includes platform work lights, amber beacon.

Additional accessories and options available via JLG Aftermarket.

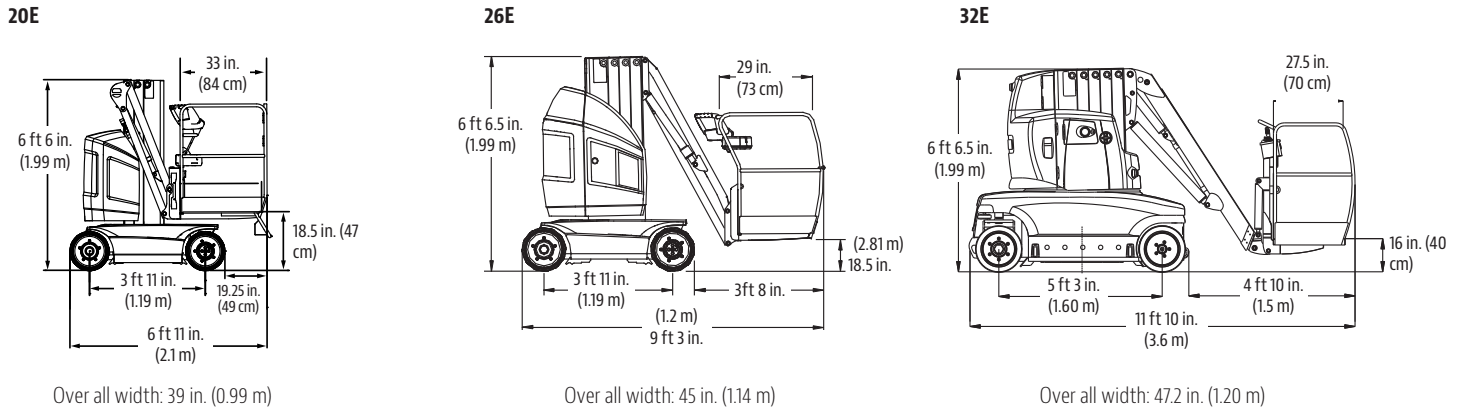
TOUCAN® SERIES

MAST BOOM LIFTS

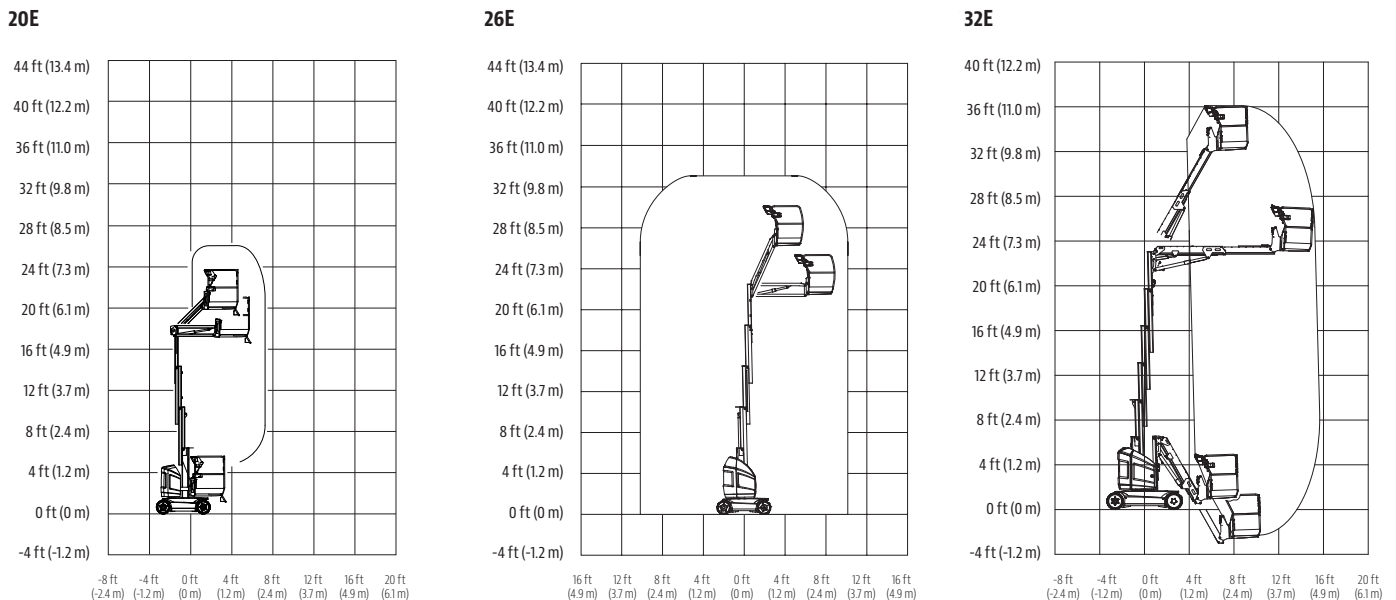


Dimensions

All dimensions are approximate.



Reach Diagrams



The JLG "1 & 5" Warranty

We provide coverage for one (1) full year, and cover all specified major structural components for five (5) years. Due to continuous product improvements, we reserve the right to make specification and/or equipment changes without prior notification. This machine meets or exceeds applicable ANSI and CSA requirements based on machine configuration as originally manufactured for intended applications. Please reference the serial number plate on the machine for additional information.

Part No.: 313217
 R0521_A92.20
 Printed in USA



JLG Industries, Inc.
 1 JLG Drive
 McConnellsburg, PA 17233-9533
 Telephone 717-485-5161
 Toll-free in US 877-JLG-LIFT
 Fax 717-485-6417
www.jlg.com
An Oshkosh Corporation Company