


X1000AJ COMPACT CRAWLER BOOM LIFT



WORKING
HEIGHT
106'



UP AND OVER
HEIGHT
56'5"



MAX WORKING
HORIZONTAL
OUTREACH
54'2"



PLATFORM
CAPACITY
500lb



JLG®

THE NEW X1000AJ EXPERIENCE MORE

More Access. More Capacity. More Stability.

The JLG X1000AJ compact crawler boom gives you a **106' working height** and **56' 5" up and over reach**, with an industry-leading **500 lb unrestricted platform capacity**.

The articulated column design allows for a maximum working envelope to access tight, hard to reach indoor and outdoor applications – **even below grade**.

The small footprint allows for compact storage and efficient shipping to and from sites.



LCD Color Control Panel

- Clear cover protects from the elements while providing maximum visibility
- Lockable to deter theft and unauthorized use
- Multi-Language functionality



Track Widening Capability

- Expand for greater stability when traversing sloped ground and retract to a narrow width for traveling through doorways, narrow aisles

Multi-Position Outriggers

- Dual stabilization capabilities for use in standard and narrow workspaces
- One-touch self-leveling outriggers stabilize and level machine on up to a 10-degree drive slope





Class-leading Platform

- 500 lb capacity platform offering 25% larger usable space
- SkyGuard® standard
- Lightweight aluminum alloy construction for ease of removal
- Castor wheels to push detached platform allows for passage through and into confined spaces
- 180-degree platform rotation
- Full color remote control

Two Power Options

- Kubota D902 diesel engine
- Optional 76 V Lithium Ion battery for quiet and clean operation indoors

Transport with Ease

- Fork lifting pockets and heavy duty lifting hooks provide options for transporting the machine to, and around jobsites

Performance

Platform Height	100 ft	30.48 m
Working Height	106 ft	32.30 m
Max Working Horizontal Outreach	54 ft 2 in	16.50 m
Up and Over Height	56 ft 5 in	17.2 m
Platform Capacity	500 lb	227 kg
Swing	360° Non-continuous	
Jib (Range of Articulation)	180° (+85/-95°)	
Platform Size (Standard Two Person)	63 x 28 in	1.60 x 0.71 m
Overall Width	47 in	1.19 m
Stowed Height	6 ft 6 in	1.98 m
Stowed Length	21 ft 3 in	6.48 m
Stowed Length w/out Basket	19 ft 3 in	5.80 m
Track Length	6 ft 10 in	2.08 m
Track Speeds (Diesel)	1.1 mph	1.8 km/h
Track Speeds (Lithium Ion)	.8 mph	1.3 km/h
Max Approach Angles:		
Front	18° (33%)	
Rear	16° (29%)	
Leveling Capability	16°	
Gradeability	28%	
Maximum Ground Bearing Pressure	11.3 psi	.79 kg/cm ²
Ground Bearing Pressure Outriggers	58 psi	4.1 kg/cm ²

Outrigger Footprint (From Outer Edge)

Total Stabilization Area	18 ft 2 in x 16 ft 5 in (5.49 x 5 m)	
Reduced Stabilization Area	22 ft x 12 ft 2 in (6.71 x 3.71 m)	
Weight (Diesel)*	16,790 lb	7,616 kg
Weight (Lithium Ion)	17,064 lb	7,740 kg

*Certain options or country standards increase weight.

Standard Specifications

Power

Diesel Engine: Kubota D902	21.6 hp	16.1 kW
Fuel Tank Capacity	6.6 gal	25 L
Electric Motor	76 V	150 AH

Optional: 76V Lithium Ion Battery

Tracks

Standard Non-marking Tracks

Hydraulic System

Capacity	21 gal	80 L
AC Motor	120 V 60 HZ 1.2 kW	

Standard Features

- Multi-position Outriggers
- Below Grade Capability
- Fork Lift Pockets + Heavy-duty Lifting Hooks
- 360-degree Non-continuous Swing
- 180-degree Platform Rotator
- 63 x 27 in Two Person Platform
- SkyGuard®

Individual Options

- Flashing Amber Beacon

Additional Options Available Via Aftermarket

- Single-Person 31 x 24 in Platform
- Black Deep-tread Tracks



Equipped For The Job

- Air and water line hookups at base of the machine supply to the platform for jobs such as window-washing or general maintenance/construction tasks that require the use of air-powered tools



Compact To Travel

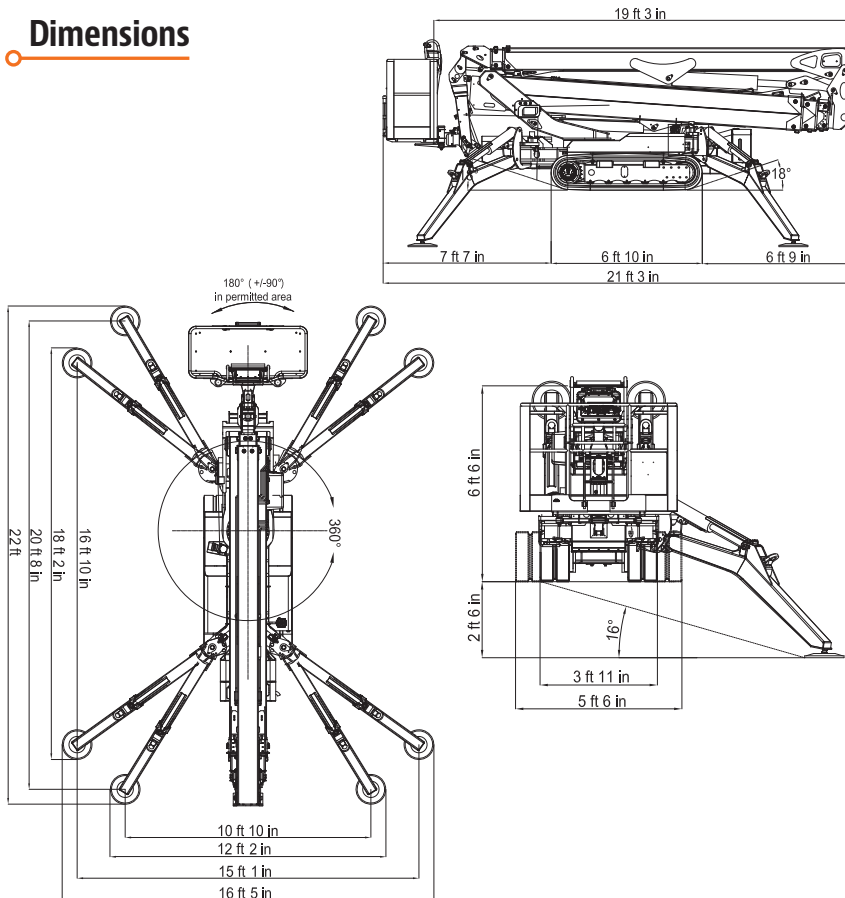
- Compact, narrow footprint fits through a double doorway



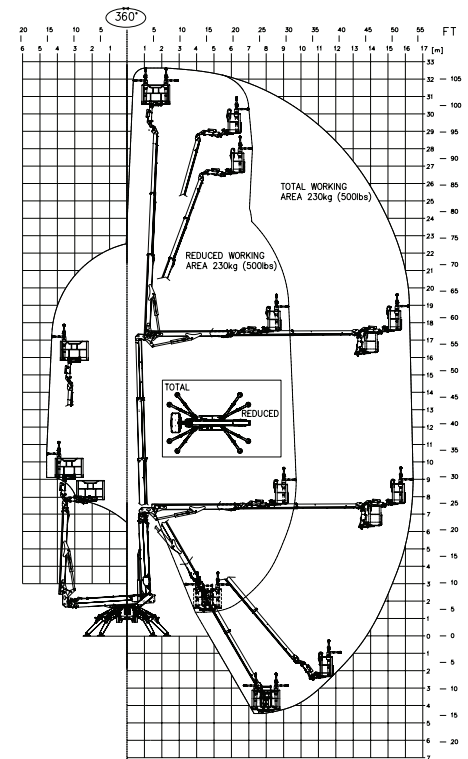
Exclusive QuikStik®

- Boom design delivers faster cycle speeds from ground to elevation — so you can get work done quickly and efficiently

Dimensions



Reach Diagram



JLG Industries, Inc.

1 JLG Drive
 McConnellsburg, PA 17233-9533
 Telephone 717-485-5161
 Toll-free in US 877-JLG-LIFT
 Fax 717-485-6417

www.jlg.com

An Oshkosh Corporation Company

Part No.: 3131125
 R090518
 Printed in USA

